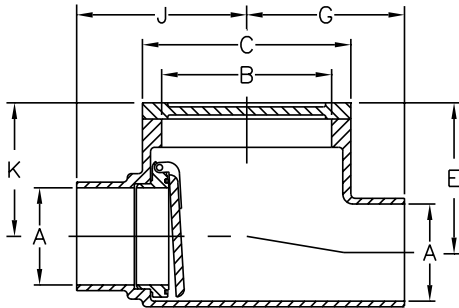


## Z1090 BACKWATER VALVE FLAPPER TYPE



### ENGINEERING SPECIFICATION

Zurn Z1090 backwater valve features Dura-Coated cast iron body, no-hub inlet and outlet, gasketed bolted cover, and automatic PVC (3" and 4" sizes only) flapper type backwater valve with O-ring.



PREFIXES	DESCRIPTION	PRODUCT DESIG.	PIPE SIZE/OUTLET TYPE	LIST PRICE
<b>Z1090*</b>	D.C.C.I. Body with No-Hub Connection Type	-2	2NH	1,298.00
		-3	3NH	2,031.00
		-4	4NH	2,501.00
		-6	6NH	3,597.00

SUFFIXES	ADD	
<b>-BP</b>	Bronze Threaded Plug Cover	N/C
<b>-BV</b>	Bronze Flapper Valve (3" and 4" Size)	N/C
<b>-G</b>	Galvanized Cast Iron Body	343.00

BEST SELLERS	LIST PRICE
Z1090-2NH	1,298.00
Z1090-3NH	2,031.00
Z1090-4NH	2,501.00
Z1090-4NH-BV	2,501.00
Z1090-6NH	3,597.00

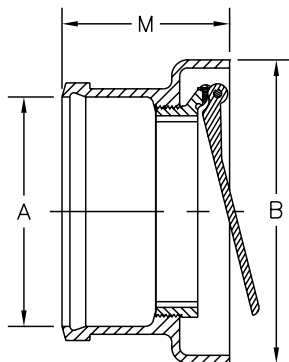
Product Designation	Dimensions in inches [mm]							Approximate Weight lb [kg]
	A Pipe Size	B	C	E	G	J	K	
-2	2 [51]	5-1/4 [133]	6-1/2 [165]	4-5/8 [117]	4-7/8 [124]	5-1/4 [133]	3-5/8 [92]	16 [7]
-3	3 [76]			4-1/8 [105]				17 [8]
-4	4 [102]	6-3/8 [162]	7-1/2 [191]	4-3/4 [121]	6 [152]	6 [152]	4-1/4 [108]	22 [10]
-6	6 [152]	8-1/4 [210]	9-1/2 [241]	7-1/2 [191]	6-5/8	7-7/16	6 [152]	34 [15]

## Z1091 BACKWATER VALVE FLAPPER TYPE



### ENGINEERING SPECIFICATION

Zurn Z1091 backwater valve features Dura-Coated cast iron body, hub inlet and open outlet for installation at end of drainage line, and automatic PVC (3" and 4" sizes only) flapper type backwater valve with O-ring.



Product Designation	Dimensions in inches [mm]			Approximate Weight lb [kg]
	A Pipe Size	B	M	
-3	3 [76]	7 [178]	5 [127]	12 [5]
-4	4 [102]	7-1/2 [191]		15 [7]
-6	6 [152]	9-1/2 [241]	5-1/4 [133]	28 [13]
-8	8 [203]	11-1/2 [292]	6 [152]	42 [19]
-10	10 [254]	14 [356]	7 [178]	58 [26]

PREFIXES	DESCRIPTION	PRODUCT DESIG.	PIPE SIZE/OUTLET TYPE	LIST PRICE
<b>Z1091*</b>	D.C.C.I. Body with Hub Connection Type	-3	3HB	544.00
		-4	4HB	791.00
		-6	6HB	2,250.00
		-8	8HB	2,737.00
		-10	10HB	8,234.00

SUFFIXES	PIPE SIZE	ADD	
<b>-BV</b>	Bronze Flapper Valve (3" and 4" Size)	N/C	
<b>-G</b>	Galvanized Cast Iron	3", 4"	308.00
		6"	435.00
		8", 10"	898.00

Supplied By:



877-903-7246

www.commercialplumbingsupply.com

For additional product information, please visit [www.zurn.com](http://www.zurn.com)

\*Regularly furnished unless otherwise specified.

Items designated as Best Sellers are most specified and are generally in stock for shipment.

Ⓢ This symbol denotes a product that is engineered to reduce installation and rework time.